



**WINDOWS INSTALLATION GUIDE**

---

**DOORS INSTALLATION GUIDE**

---

**MAINTENANCE AND USAGE  
INSTRUCTIONS**

# WINDOWS INSTALLATION GUIDE

## Storage conditions

If the products have to be stored after delivery and before installation, then the following conditions must be ensured:

- ✗ The surface used for storing the product must be level and the product must be positioned securely, eliminating the possibility of breaking or becoming damaged;
- ✗ The product must be protected from the direct impact of rainfall and snowfall, and excess humidity resulting from concrete pouring works;
- ✗ The product must be protected from becoming dirty with dust and concrete resulting from construction works.

## Preparations before installation

- ✗ Ensure that the dimensions and the quality of the product conform to the order placed!
- ✗ The opening should be at least 20-30 mm bigger than the size of the jamb. In case of unsinked log houses, consult with the installers of log houses or use their services!
- ✗ Be certain that the person conducting the installation works has the necessary skills and tools for it!
- ✗ The average duration of installation works is approx. 1 h, depending on the skills of the person conducting the installing works, and on the size of the product.

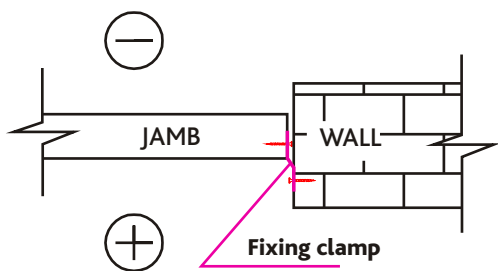
## Installation

- ✗ Attach the clamps to the window jamb, at the distance of 100 to 150 mm from the edges. Use general galvanised screws.
- ✗ Place approx. 10 mm thick blocks near the lower corners of the opening. If the width of the window exceeds 1.2 m and there are impostes in the window, then place a block under the impost. Attach a clamp to the upper jamb. If the height of the window exceeds 1.3 m, then place an additional clamp on the side jambs (see also: Scheme 1).
- ✗ If possible, then detach the window frame and place the empty jamb into the opening.
- ✗ Fix the jamb in place, using clamps and side openings. Do not fasten the screws fully (see also: Scheme 2).
- ✗ Set the lower side level, using wooden blocks this the necessary thickness (see also: Scheme 4).
- ✗ Verify that the position of the window in relation with the rest of the façade is correct (see also: Scheme 3).
- ✗ Set the window exactly vertical and fasten the clamp screws completely.
- ✗ Verify the diagonals of the jambs; these must be equal and if not, then the position of the jamb must be adjusted accordingly, using small wooden wedges (see also: Scheme 5).
- ✗ Verify with a spirit level that both the horizontal edges and the vertical edges of the window are level (see also: Schemes 3 and 4).
- ✗ Put the window frames into the window jambs. In case of jambs exceeding 1.5 m in length, it is recommended to fix the jamb with a screw at the middle point of the jamb, at the outer groove, in order to avoid the bending stresses caused by expansion of the installation foam. A hole with the diameter of 14 mm and the depth of 10 mm is drilled at the fixing point on the jamb, in order to hide the head of the screw. This hole is later closed with a cap.
- ✗ Verify that the frames move freely. If necessary, regulate the fittings. The windows must be freely closing and freely opening.
- ✗ Ensure that the frame is parallel to the jamb and that all gaps between the frame and the jamb have the same width.
- ✗ If necessary, remove the frame and correct the position of the jamb, taking into account the description above.
- ✗ For sealing, use low-expansion installation foam, lint or flax ribbon, covered on the inside by elastic joint filler.
- ✗ Let the installation foam enter the gap between the jamb and the wall as a continuous and uniform jet. If the gap is accessible from both sides, then it is recommended to use the installation foam on both sides. Ensure that the installation foam has room for expanding and that the edges of the installation foam do not exceed the jamb edges after the expansion.

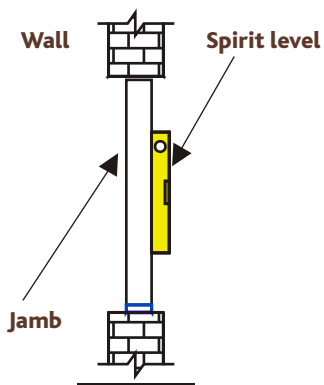
## Scheme 1



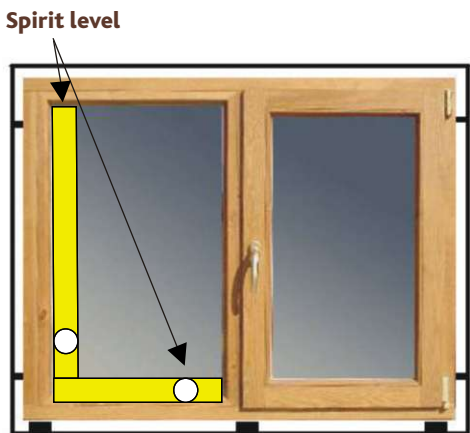
## Scheme 2



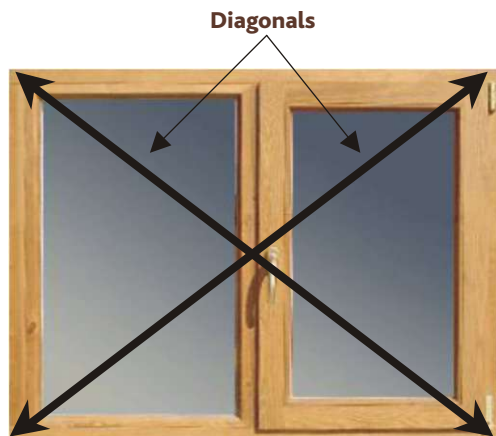
## Scheme 3



## Scheme 4



## Scheme 5



# DOORS INSTALLATION GUIDE

## Storage conditions

If the products have to be stored after delivery and before installation, then the following conditions must be ensured:

- ✗ The surface used for storing the product must be level and the product must be positioned securely, eliminating the possibility of breaking or becoming damaged;
- ✗ The product must be protected from the direct impact of rainfall and snowfall, and excess humidity resulting from concrete pouring works;
- ✗ The product must be protected from becoming dirty with dust and concrete resulting from construction works.

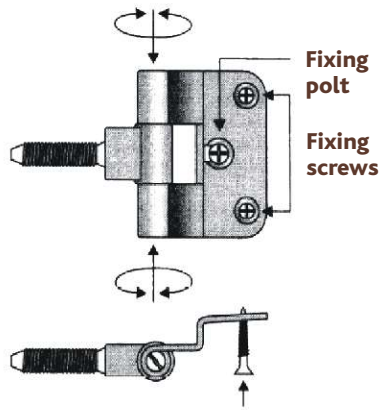
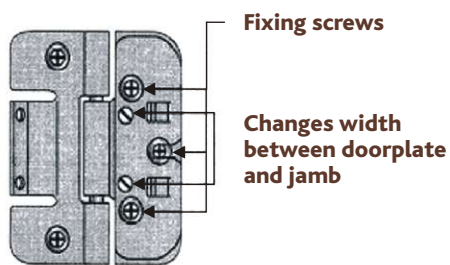
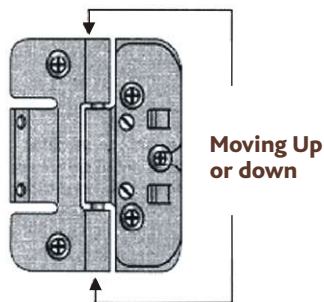
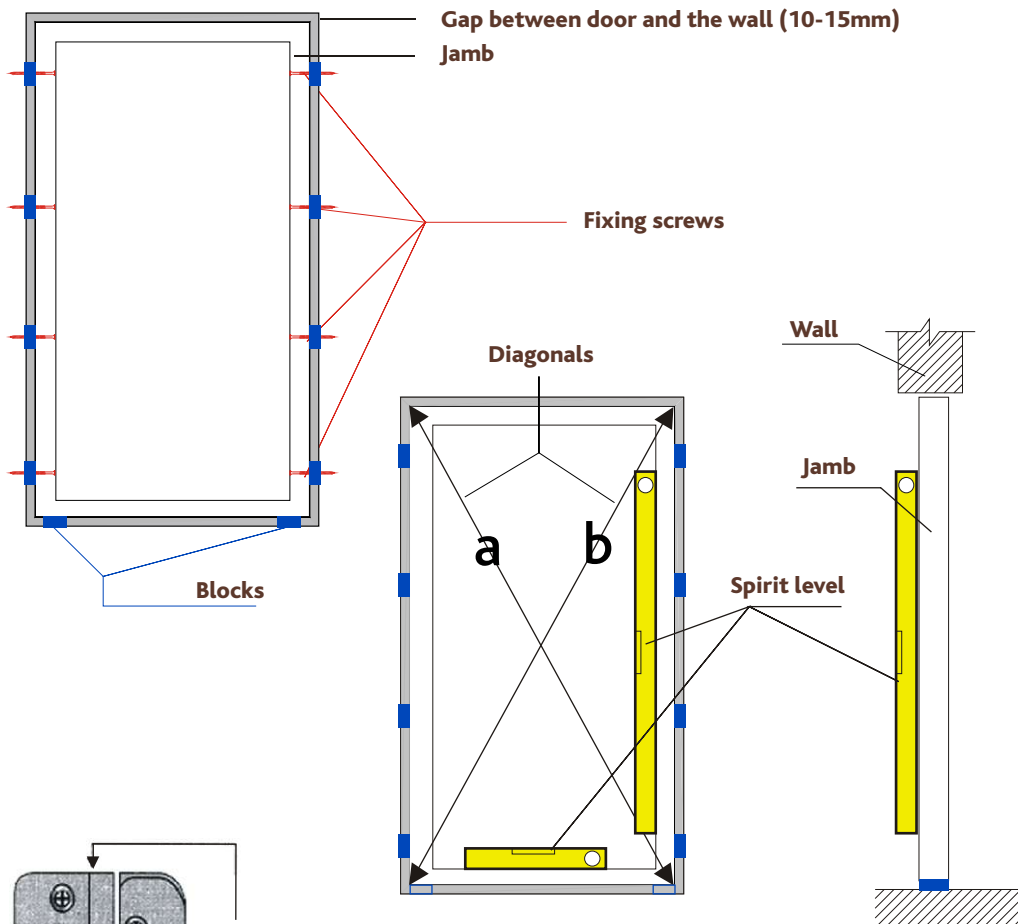
## Preparations before installation

- ✗ Ensure that the dimensions and the quality of the product conform to the order placed!
- ✗ The opening should be at least 20-30 mm bigger than the size of the jamb. In case of unsunked log houses, consult with the installers of log houses or use their services!
- ✗ Be certain that the person conducting the installation works has the necessary skills and tools for it!
- ✗ The average duration of installation works is approx. 1 h, depending on the skills of the person conducting the installing works, and on the size of the product.

## Installation

- ✗ Place approx. 10 mm thick blocks into the door opening, under the locations of the vertical parts of the jamb (not necessary in case of interior doors).
- ✗ Remove the doorplate from the jamb and put the jamb into the opening.
- ✗ Fix the jamb into the opening, using wedges at the sides.
- ✗ Set the jamb in the level position, using wooden details with the necessary thickness.
- ✗ Ensure that the jamb is parallel to the wall, and hit the wedges properly into place.
- ✗ Set the hinge side exactly vertical and fix it with four screws located on the jamb with identical intervals. The top screw and the bottom screw should be located as near to the hinges as possible.
- ✗ Set the lock side exactly vertical and fix it to the wall with screws. The locations of the screws are similar to the screws on the hinge side.
- ✗ Verify that the diagonals of the door are equal.
- ✗ Verify that the width of the door opening is the same in all heights. If necessary, regulate with screws.
- ✗ Place the doorplate into the jamb and verify that the door opens and closes freely. If necessary, regulate the door at the hinges and at the lock. Also verify the position of the door sheet in relation with the jamb.
- ✗ If the door move freely in its jamb and the gaps are uniform, then fasten the screws tightly. In case of wooden wall, use 100 x 5 mm wood screws. In case of light concrete or clinker wall, use 125-150 mm x 8 mm anchor bolts. Use galvanised steel screws.
- ✗ For sealing, use low-expansion installation foam, lint or flax ribbon, covered on the inside by elastic joint filler. Let the installation foam enter the gap between the jamb and the wall as a continuous and uniform jet. If the gap is accessible from both sides, then it is recommended to use the installation foam on both sides. Ensure that the installation foam has room for expanding and that the edges of the installation foam do not exceed the jamb edges after the expansion.

# Schemes



# MAINTENANCE AND USAGE INSTRUCTIONS

The common interest of the customer and the manufacturer is that the product fulfils all its functions correctly and for a long time. For this, the manufacturer has to follow the right manufacturing technology and the customer has to use the product according to its purpose and maintain it regularly. Also, the storage before installation must not be forgotten!

## **Cleaning and maintenance of the surfaces**

- ✗ After the installation of the products, the surfaces of the products must be cleaned using the cleaning methods approved in the maintenance instructions.
- ✗ If the surface of the product is covered with tape, then the tape must not be kept on for more than two weeks.
- ✗ The surfaces must be inspected for possible damages resulting from the installation works. In case of damages, the repair works of the relevant parts of the product must be organised immediately. If necessary, the manufacturer must be contacted.

## **2 year warranty period**

In order for the warranty to remain valid, the product must be washed at least once per year. For cleaning painted wooden surfaces, only non-abrasive methods can be used, for example water solution of soap, washing agents based on surfactants (like Fairy, etc.), 5% water solution of spirit. Remmers Aidol Reiniger is recommended. Painted wood surfaces must not be cleaned with glass cleaning agents!

In order to agree upon longer warranty periods according to the warranty table, using Aidol Politur/Pflegebalsam at least once per year after the cleaning is necessary in addition to the aforementioned cleaning methods.

## **Fittings**

In order to ensure free opening and closing of windows and doors, it is recommended to oil or grease all moving parts of the fittings once per year. Acid-free and resin-free grease or oil must be used, for example the common home appliance oil. More specific instructions are given in user manuals and maintenance manuals provided by the manufacturer of the fittings (see also: Annex).

## **Seals**

In order to ensure the long life of seals, they must be cleaned and greased with silicon oil once per year.

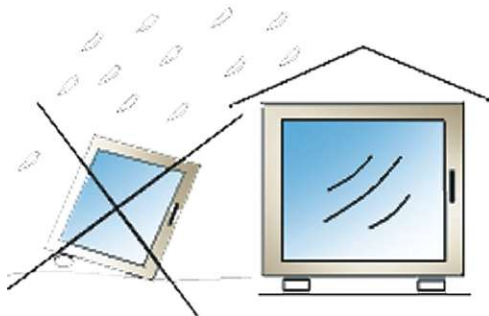
## **In case of functional problems**

- ✗ Ensure the products are installed correctly (diagonals, edges straight and level);
- ✗ Oil the parts stated in the manual provided by the manufacturer of the fittings;
- ✗ If necessary, regulate the hinges of the product;
- ✗ In case of the problems persisting, notify the manufacturer of the fittings.

## Storage conditions

If the products have to be stored after delivery and before installation, then the following conditions must be ensured:

- ✗ The surface used for storing the product must be level and the product must be positioned securely, eliminating the possibility of breaking or becoming damaged;
- ✗ The product must be protected from the direct impact of rainfall and snowfall, and excess humidity resulting from concrete pouring works;
- ✗ The product must be protected from becoming dirty with dust and concrete resulting from construction works.



## Main instructions for maintenance



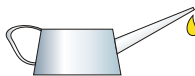
After installation verify that the product is not damaged or dirty!



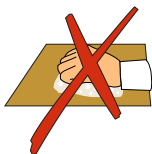
For cleaning the product, only the methods stated in the maintenance instructions must be used!



Damaged places must immediately be covered with correction paint!



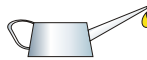
In order for the product to work without problems, oil or grease its moving parts at least once per year!



Avoid any glass cleaning substances getting onto the products surface!



In order to ensure a long life of the seals, they must be cleaned and oiled with silicone oil once per year!





Aru Grupp AS  
Hulja, Lääne-Viru county  
45203 Kadrina parish  
phone +372 3295650  
fax +372 3295651  
info@arugrupp.ee  
www.arugrupp.ee